

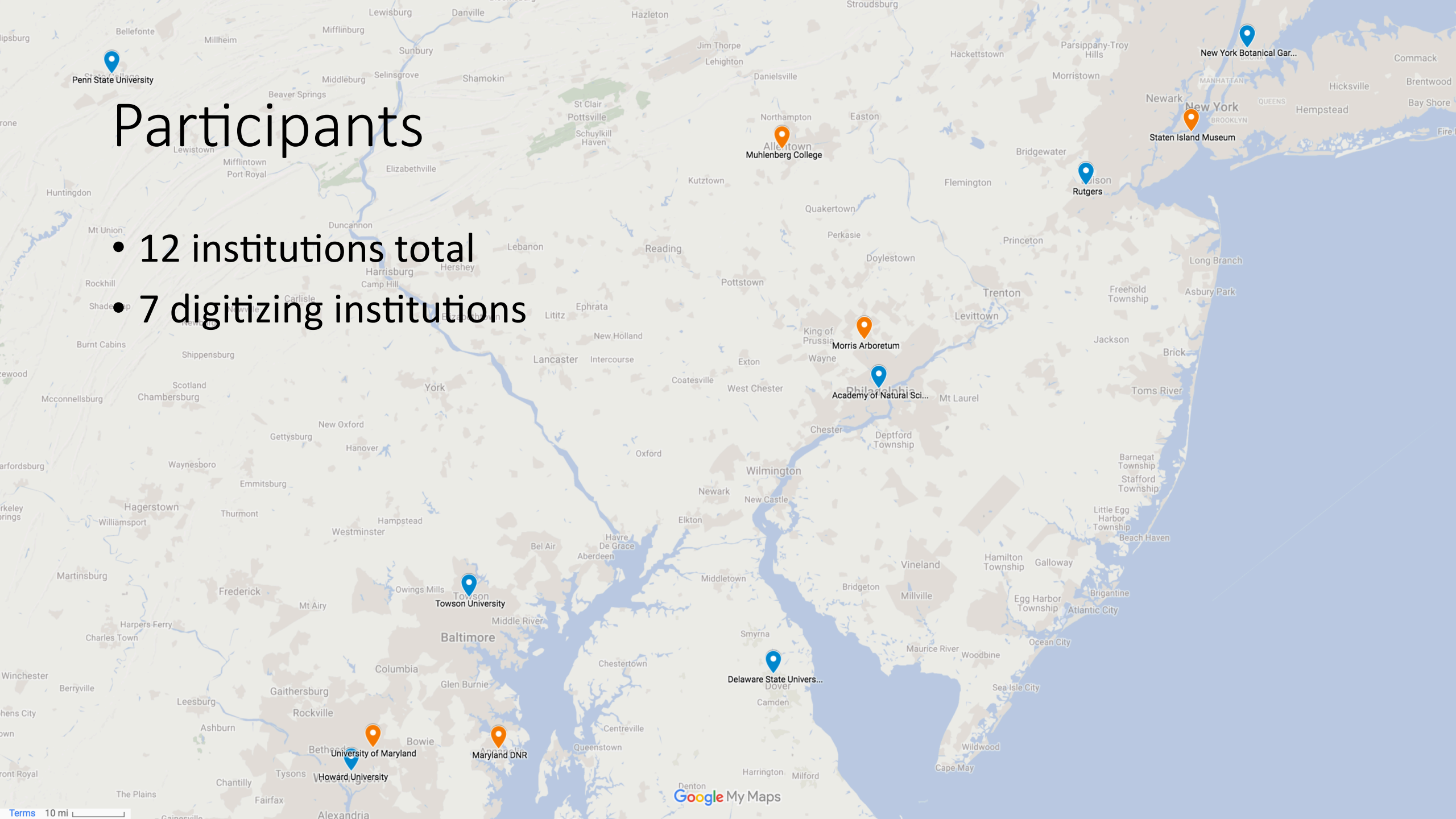


# Mid-Atlantic Megalopolis

Digitizing botanical specimens from the Mid-Atlantic urban corridor

# Participants

- 12 institutions total
- 7 digitizing institutions



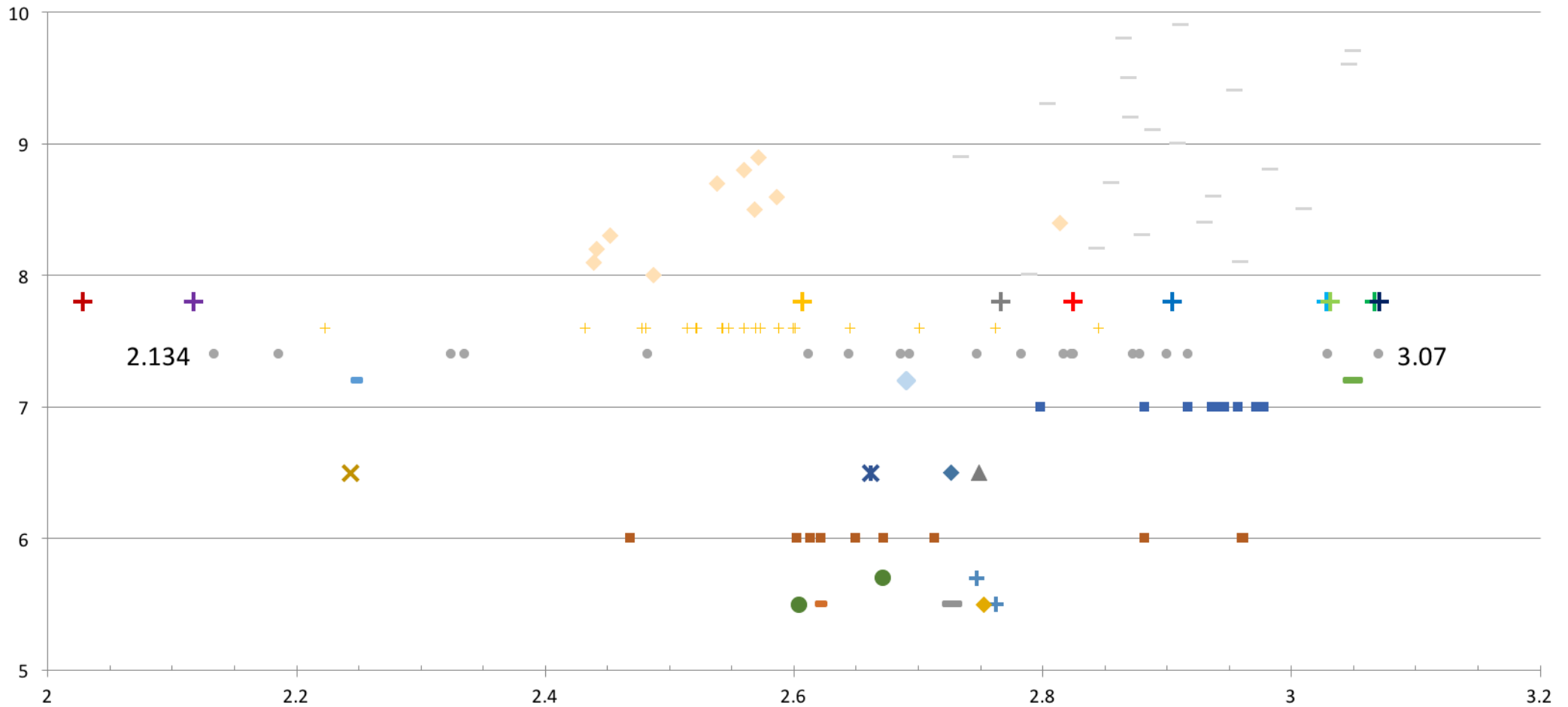
# Accomplishments



Fine Focus



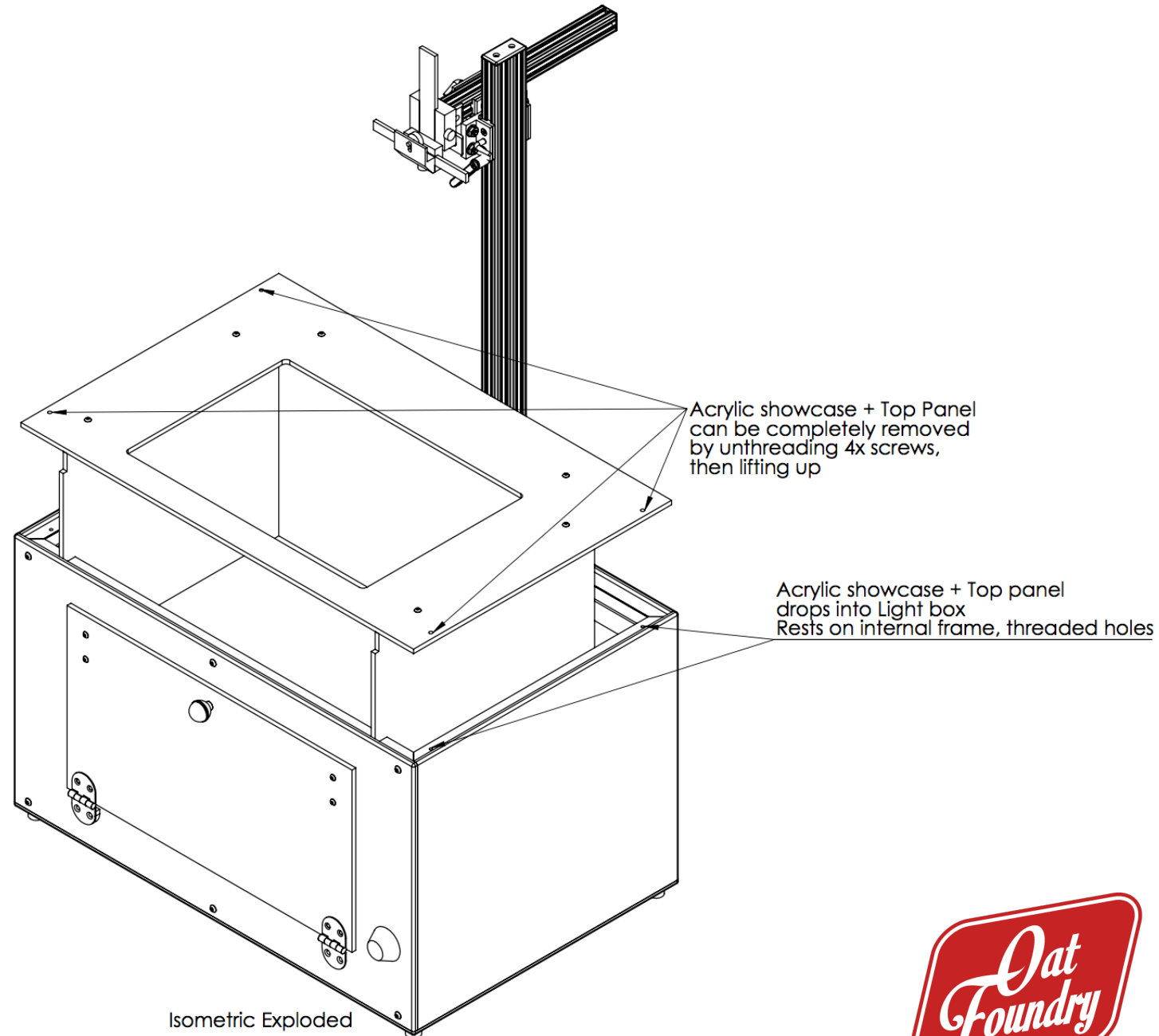
# Accomplishments





# Lessons Learned

- OR Tech Photo-eBox Bio discontinued
- Contracted with design and build firm to manufacture a new lightbox
- Available in December



# Thank You



MAM Collaborators: Academy of Natural Sciences, Delaware State University, Howard University, Maryland Department of Natural Resources, Morris Arboretum, Muhlenberg College, New York Botanical Garden, Pennsylvania State University, Rutgers University, Staten Island Museum, Towson University, University of Maryland

National Science Foundation Awards: 1601697, 1600981, 1601393, 1600976, 1601429, 1601101, 1601503, 1702441